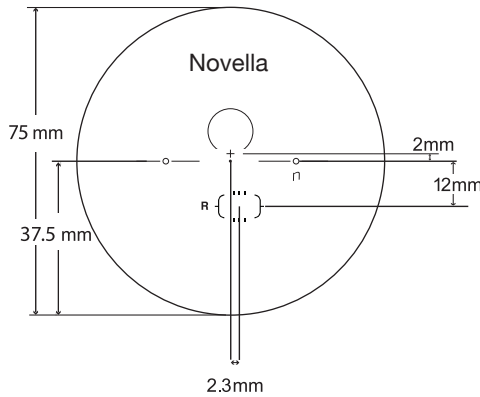


Product Reference Guide



Plastic

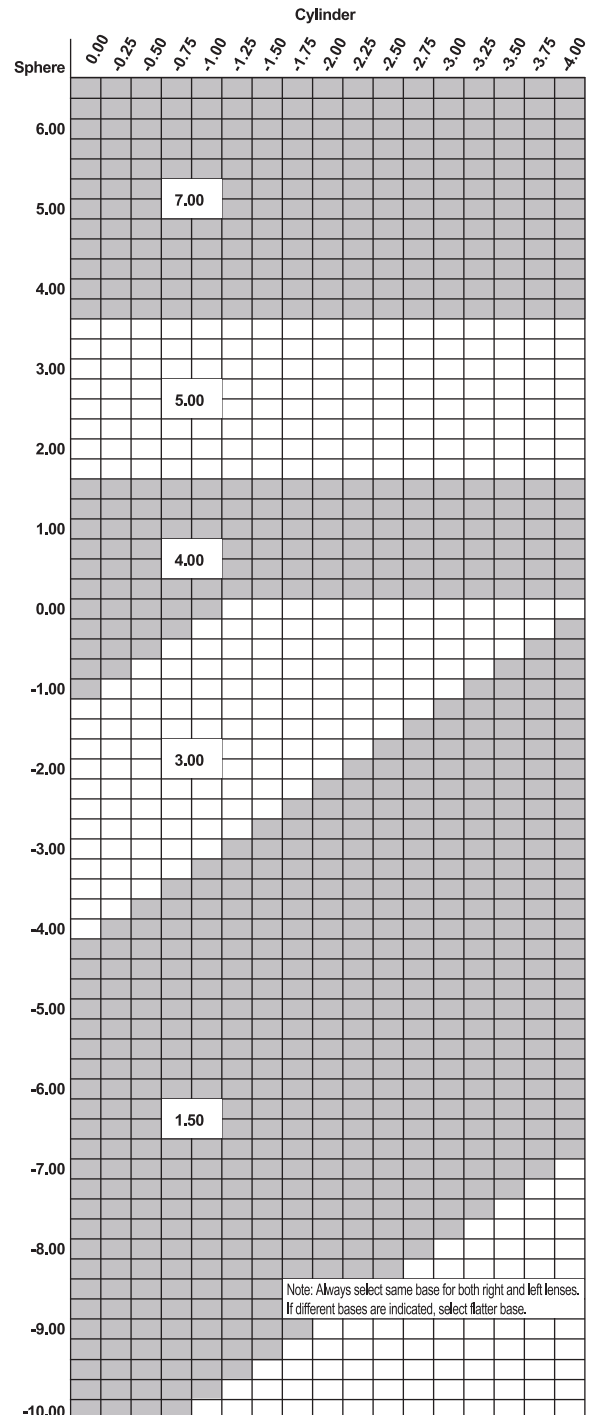
Novella® Progressive Addition Lenses 75mm Progressive (Clear)

| Base Curve | True Curve (1.530) | Front Radius | 50mm SAG* | Back Curve | Back Radius | CT (mm) Nominal | ET (mm) Nominal | MRP | Location |
|------------|--------------------|--------------|-----------|------------|-------------|-----------------|-----------------|-------|----------|
| 1.50 | 1.44 | 368.05 | 0.85 | -6.13 | -86.46 | 11.8 | 17.8 | 2.0 A | 0.0 In |
| 3.00 | 2.87 | 184.67 | 1.70 | -6.50 | -81.54 | 10.7 | 15.1 | 2.0 A | 0.0 In |
| 4.00 | 4.19 | 126.49 | 2.50 | -6.50 | -81.54 | 9.0 | 11.8 | 2.0 A | 0.0 In |
| 5.00 | 5.63 | 94.14 | 3.38 | -6.50 | -81.54 | 11.1 | 12.1 | 2.0 A | 0.0 In |
| 7.00 | 7.20 | 73.61 | 4.38 | -5.90 | -89.83 | 13.7 | 12.0 | 2.0 A | 0.0 In |

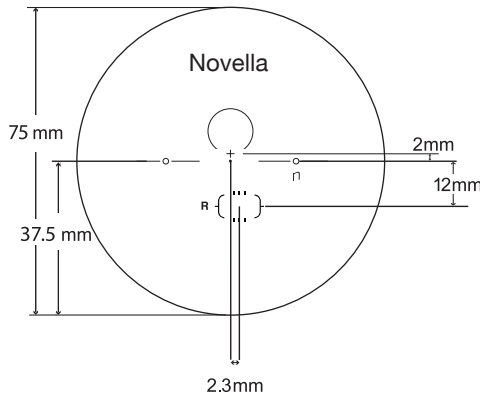
| Base Curve | Adds |
|------------|----------------|
| 1.50 | +1.00 to +3.00 |
| 3.00 | +1.00 to +3.00 |
| 4.00 | +1.00 to +3.00 |
| 5.00 | +1.00 to +3.00 |
| 7.00 | +1.00 to +3.00 |

*Utilized for power calculation only, not for thickness calculation.

Base Curve Selection



Product Reference Guide



Plastic

Novella® ChangeRx®
Progressive Addition Lenses
 75mm Progressive (Gray, Brown)

| Base Curve | True Curve (1.530) | Front Radius | 50mm SAG* | Back Curve | Back Radius | CT (mm) Nominal | ET (mm) Nominal | MRP | Location |
|------------|--------------------|--------------|-----------|------------|-------------|-----------------|-----------------|-------|----------|
| 1.50 | 1.44 | 368.05 | 0.85 | -6.13 | -86.46 | 11.8 | 17.8 | 2.0 A | 0.0 In |
| 3.00 | 2.87 | 184.67 | 1.70 | -6.45 | -82.17 | 10.7 | 15.1 | 2.0 A | 0.0 In |
| 4.00 | 4.19 | 126.49 | 2.50 | -6.45 | -82.17 | 9.0 | 11.8 | 2.0 A | 0.0 In |
| 5.00 | 5.63 | 94.14 | 3.38 | -6.45 | -82.17 | 11.1 | 12.1 | 2.0 A | 0.0 In |
| 7.00 | 7.15 | 74.13 | 4.34 | -5.90 | -89.83 | 13.7 | 12.0 | 2.0 A | 0.0 In |

| Base Curve | Adds |
|------------|----------------|
| 1.50 | +1.00 to +3.00 |
| 3.00 | +1.00 to +3.00 |
| 4.00 | +1.00 to +3.00 |
| 5.00 | +1.00 to +3.00 |
| 7.00 | +1.00 to +3.00 |

*Utilized for power calculation only, not for thickness calculation.

Base Curve Selection

