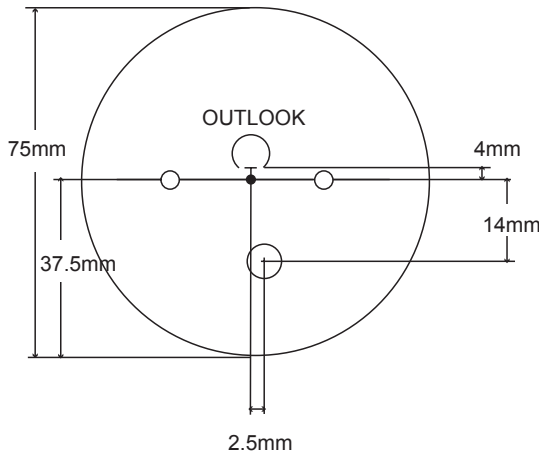


Product Reference Guide



Plastic

Outlook® Progressive Addition Lenses 75mm Progressive SRC®

Base Curve	True Curve (1.530)	Front Radius	50mm SAG*	Back Curve	Back Radius	CT (mm) Nominal	ET (mm) Nominal	MRP	Location
1.50	1.62	327.160	0.957	-5.35	-99.065	10.6	16.3	4 A	2.5 In
3.50	3.42	154.971	2.029	-6.20	-85.484	9.2	13.0	4 A	2.5 In
5.00	5.00	106.000	2.990	-6.08	-87.171	11.6	12.5	4 A	2.5 In
6.50	6.47	81.917	3.908	-5.35	-99.065	11.2	8.0	4 A	2.5 In
7.50	7.66	69.191	4.674	-5.35	-99.065	12.0	8.0	4 A	2.5 In

Base Curve	Adds
1.50	+0.75 to +3.50
3.50	+0.75 to +3.50
5.00	+0.75 to +3.50
6.50	+0.75 to +3.50
7.50	+0.75 to +3.50

*Utilized for power calculation only, not for thickness calculation.

Base Curve Selection

